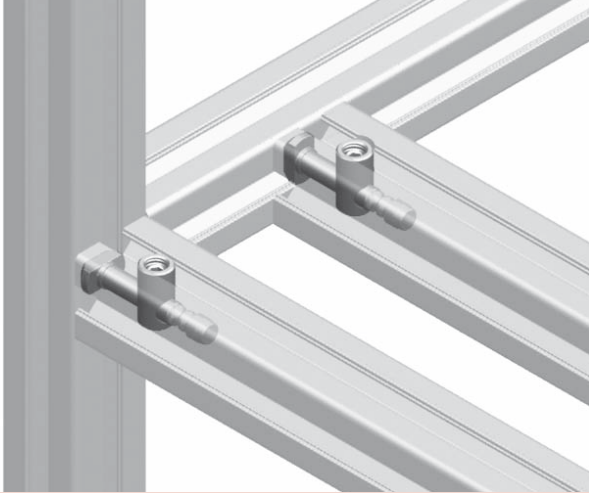




Connectors (CON):



General Information:

Function: Connects aluminium profiles at right angles.

Features:

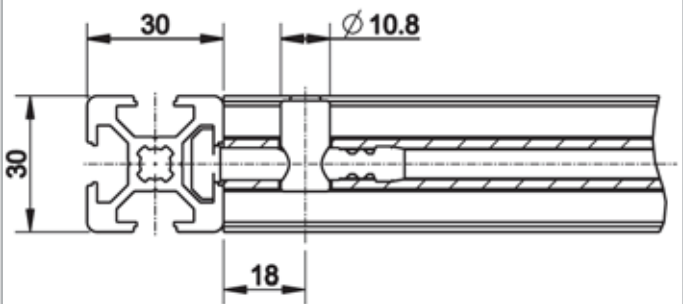
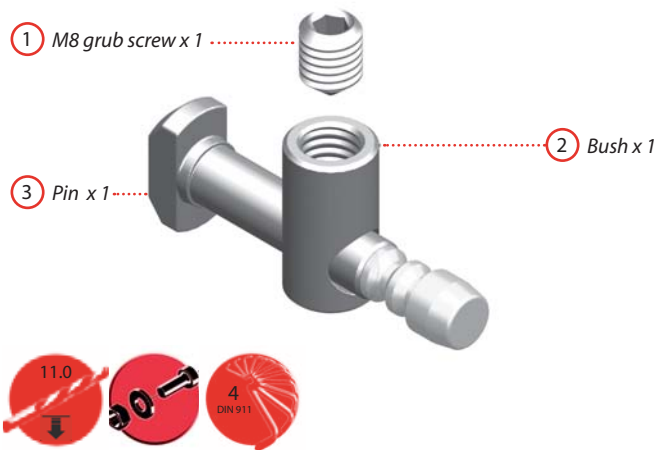
1. A rubber stopper on the end of the pin³ to assist with the positioning of it.

Item Description:

CON A - S8

Item Number:

1.20.0803.0

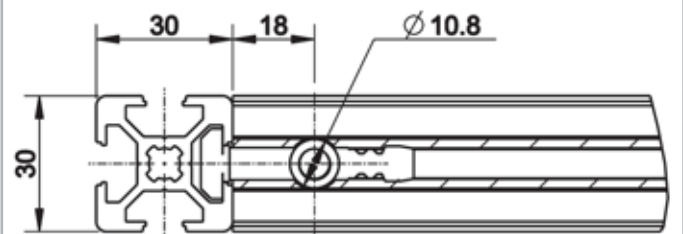
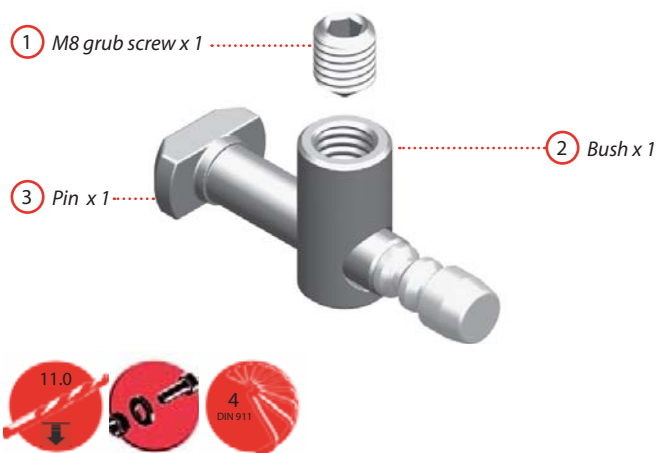


Item Description:

CON B - S8

Item Number:

1.20.0804.0

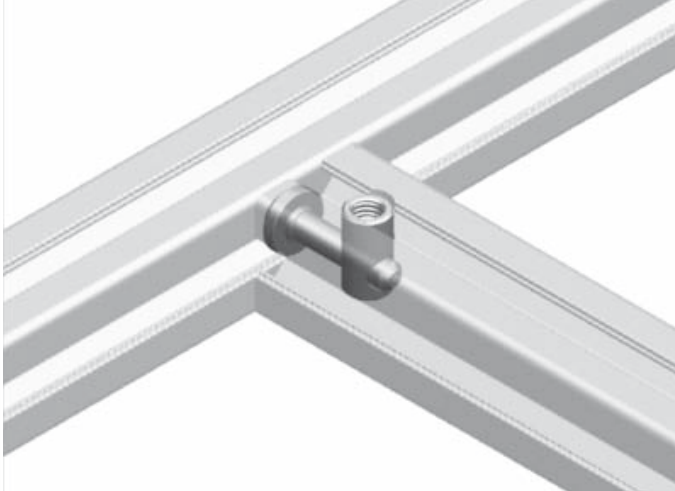


Technical Information:

Item Description	Bore Dia (mm)	Bore Depth (mm)	Weight (g)	Finish	Material
CON A - S8	11.0	Through	21.0	1,2,3 - Galvanized	1,2,3 - Steel
CON B - S8					



Connectors (CON):



General Information:

Function: Connects aluminium profiles at right angles.

Features:

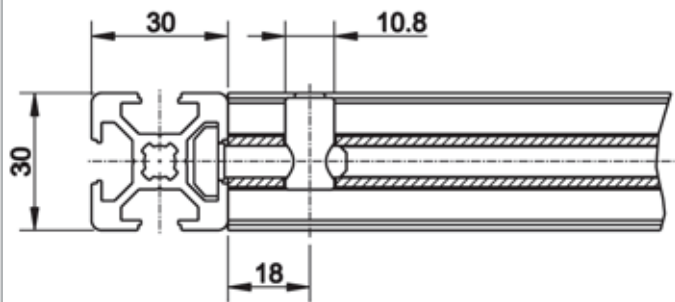
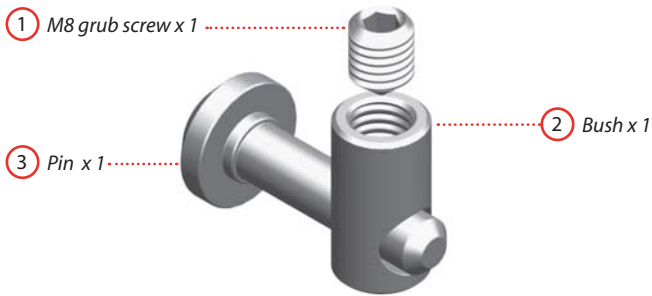
1. The round head simplifies assembling the connection as it does not matter which way the connector is orientated in the profile.

Item Description:

CON A/B - S8

Item Number:

1.20.0802.0

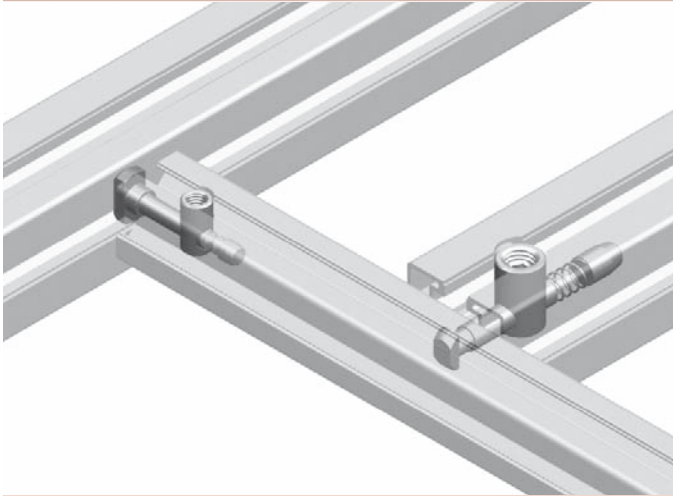


Technical Information:

Item Description	Bore Dia (mm)	Bore Depth (mm)	Weight (g)	Finish	Material
CON A/B - S8	11.0	Through	23	1,2,3 - Zinc plated	1,2,3 - Steel



Connectors (CON):



General Information:

Function: Connects aluminium profiles at right angles.

Features:

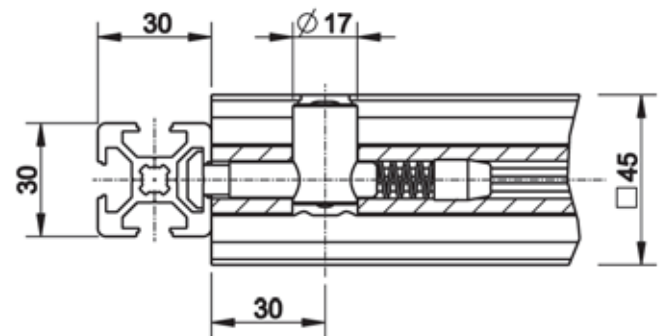
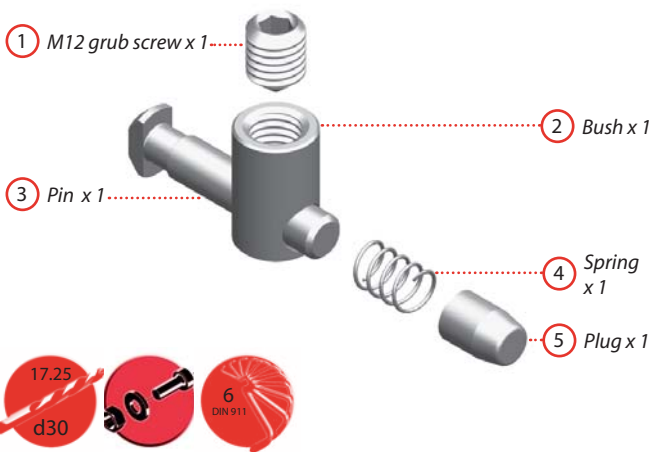
1. The CON A S8 - S10 connector features a spring⁴ and plug⁵ to assist with positioning the pin³.
2. The pin³ of the CON A S10 - S8 connector features a rubber stopper to assist with the positioning of it.

Item Description:

CON A S8 - S10

Item Number:

1.20.1004.0

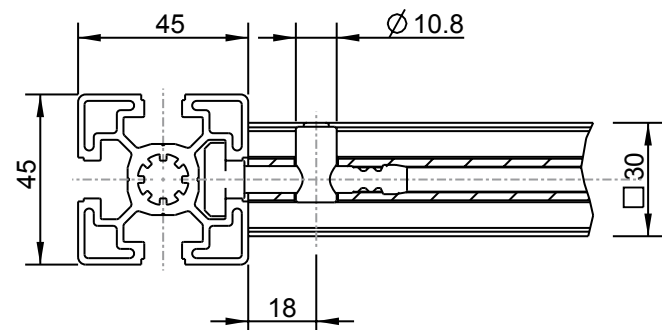
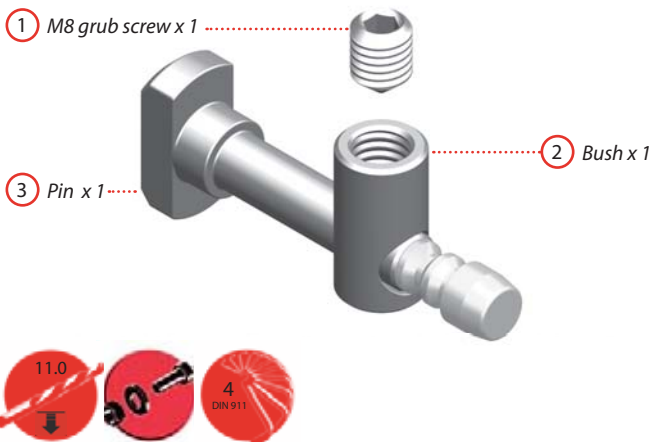


Item Description:

CON A S10 - S8

Item Number:

1.20.0805.0

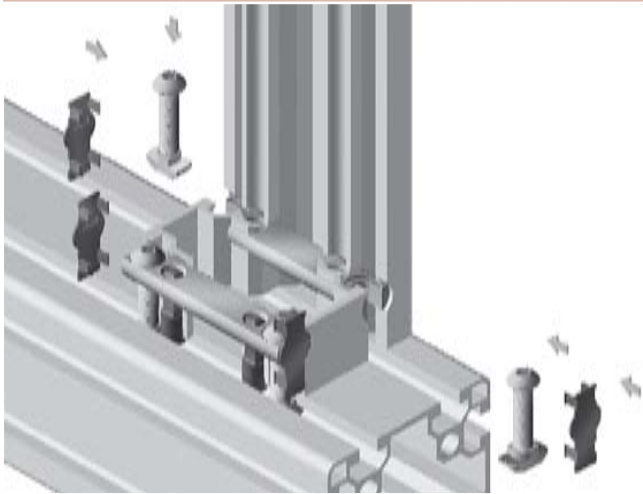


Technical Information:

Item Description	Bore Dia (mm)	Bore Depth (mm)	Weight (g)	Finish	Material
CON A S8 - S10	17.25	30.0	55.0	1,2,3,4 - Zinc Plated 5 - Plain	1,2,3,4 - Steel 5 - Nylon, white
CON A S10 - S8	11.0	Through	N/A		



Connectors (CON):



General Information:

Function: Connects aluminium profiles at right angles.

Features:

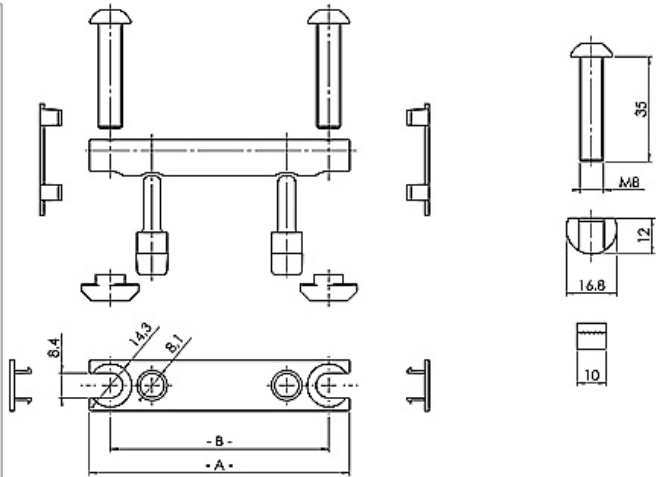
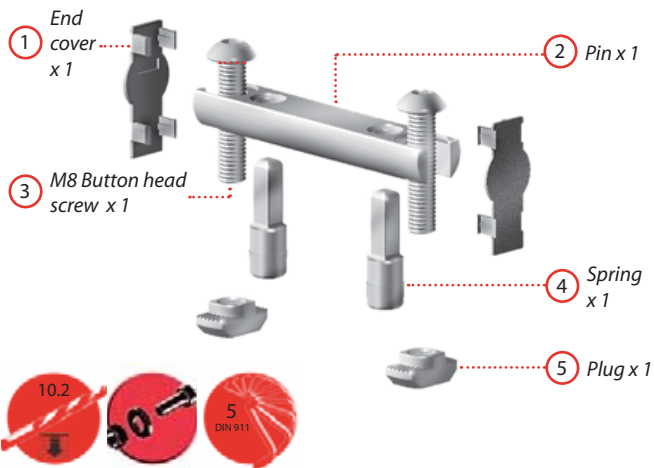
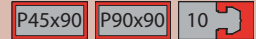
1. Locating pins⁴ to prevent the pin¹ from moving.
2. Cover caps² for an aesthetically pleasing finish and to prevent contamination.

Item Description:

CON C 17-90

Item Number:

1.20.1009.0

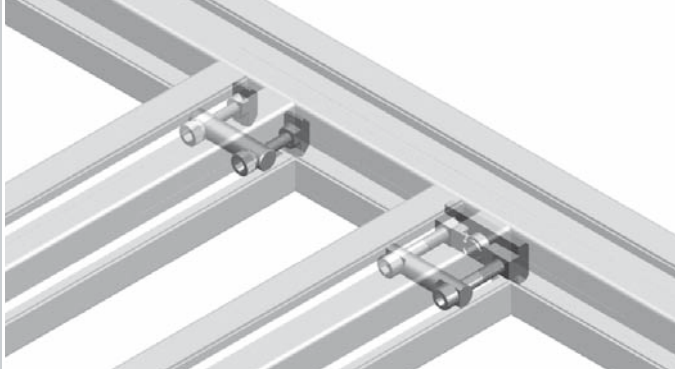


Technical Information:

Item Description	Dim -A- (mm)	Dim -B- (mm)	Weight (g)	Finish	Material
CON C 17-90	87	73	138.20	1,3,5 - Zn plated 2,4 - Plain	1,3,5 - Steel 2,4 - PA, black



Connectors (CON):



General Information:

Function: Connects aluminium profiles at right angles.

Features:

1. The CON C 45SF, CON C 60SF and CON C 90SF connectors feature an anti slip insert³ for controlled positioning.

Item Description:

CON C 45S

Item Number:

1.20.1006.0

P45x45	P45x60	P45x90	10
--------	--------	--------	----

CON C 60S

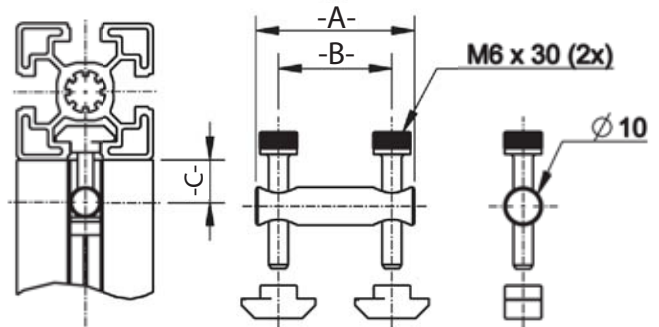
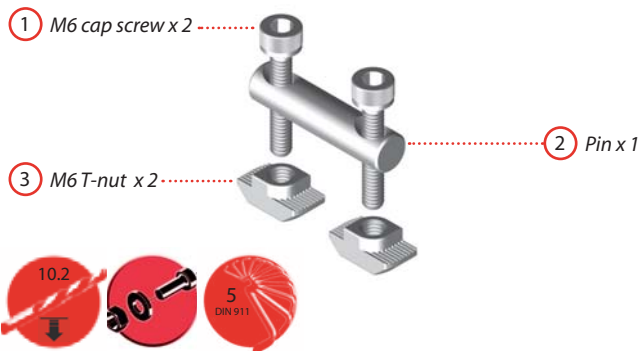
1.20.1007.0

P45x60	P60x60	10
--------	--------	----

CON C 90S

1.20.1008.0

P45x90	P90x90	10
--------	--------	----



Item Description:

CON C 45SF

Item Number:

C099C45

P45x45	P45x60	P45x90	10
--------	--------	--------	----

CON C 60SF

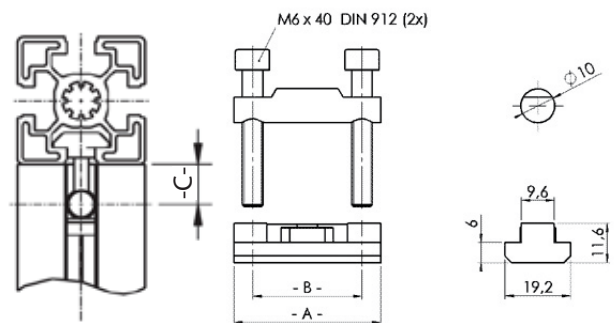
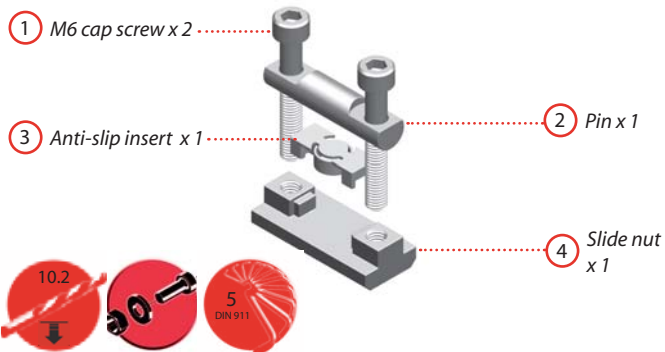
C099C60

P45x60	P60x60	10
--------	--------	----

CON C 90SF

C099C90

P45x90	P90x90	10
--------	--------	----

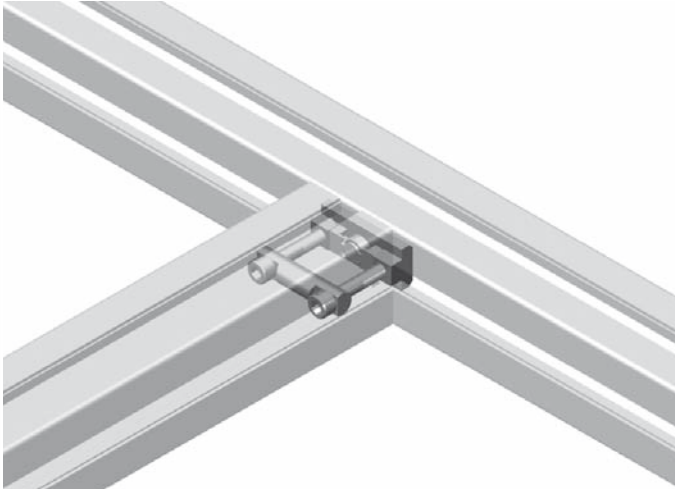


Technical Information:

Item Description	Dim -A- (mm)	Dim -B- (mm)	Dim -C- (mm)	Weight (g)	Finish	Material
CON C 45S	42.0	30.0	14.0	49.0	1,2,3 - Zinc plated	1,2,3 - Steel
CON C 60S	56.0	46.0		56.0		
CON C 90S	88.0	77.0		76.0		
CON C 45SF	43.0	32.0	26.0	56.20	1,2 - Zinc plated 3,4 - Plain	1,2 - Steel 3 - Nylon, white 4 - Die-cast zinc
CON C 60SF	58.0	48.0		101.0		
CON C 90SF	88.0	77.0		140.0		

Connectors (CON):

General Information:



Function: Connects aluminium profiles at right angles.

Features:

- 1. Anit slip insert³ for controlled positioning.

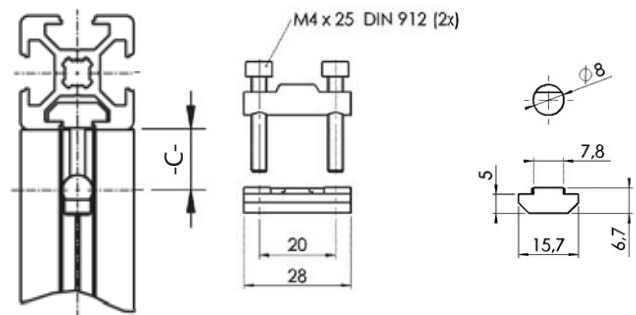
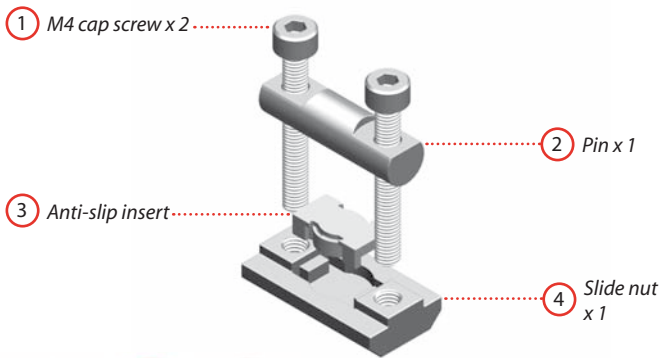
Item Description:

Item Number:

CON C 30SF

C099C30

P30x30 P30x60 8

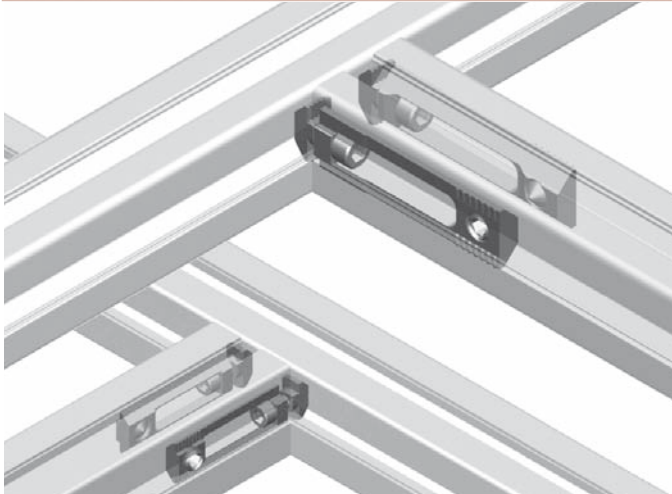


Technical Information:

Item Description	Dim -A- (mm)	Dim -B- (mm)	Dim -C- (mm)	Weight (g)	Finish	Material
CON C 30SF	28.0	20.0	16.0	25.0	1,2 - Zn plated 3,4 - Plain	1,2 - Steel 3 - Nylon, 4 - Zn



Side Connectors (S CON):



General Information:

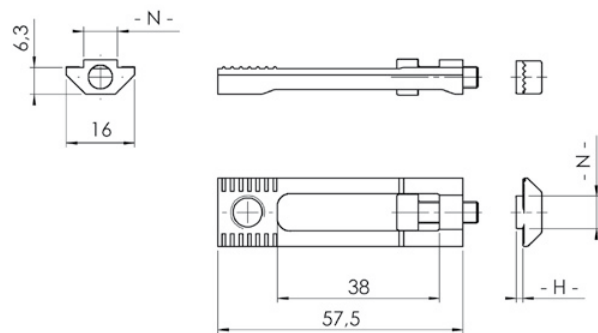
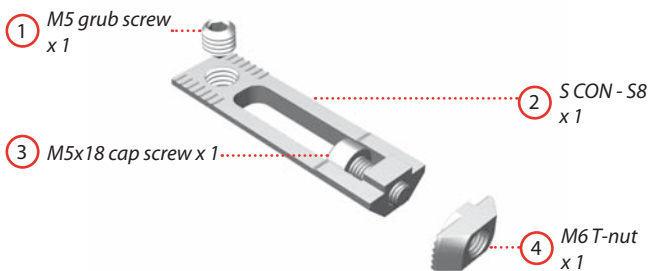
Function: Forms a perpendicular connection between two aluminium profiles without machining.

Item Description:

S CON - S8

Item Number:

C099D0830M0515

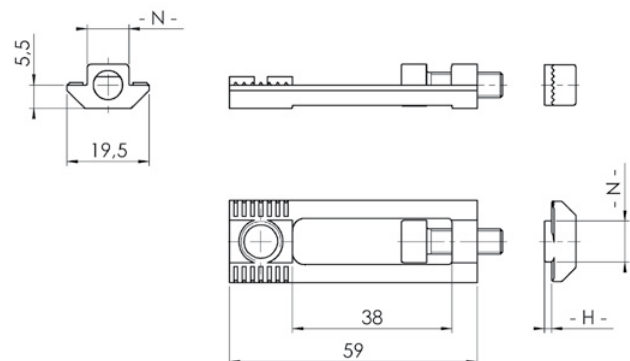
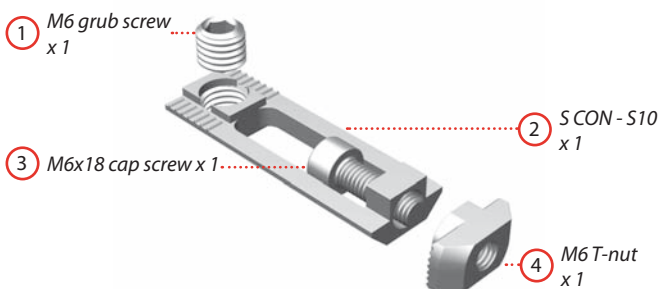


Item Description:

S CON - S10

Item Number:

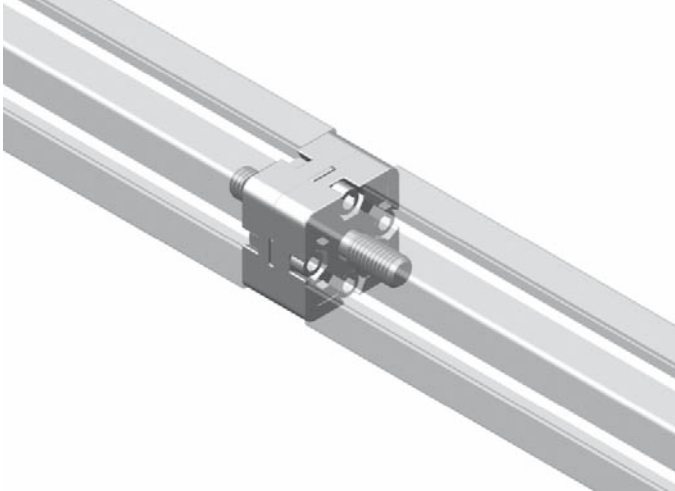
C099D1045M0630



Technical Information:

Item Description	Dim -N- (mm)	Dim -H- (mm)	Weight	Finish	Material
S CON - S8	8.0	3.0	37.3 g	1,2,3,4 - Zinc plated	1,2,3,4 - Steel
S CON - S10	10.0		38.1 g		

End Connectors (CON):



General Information:

Function: Connects two aluminium profiles end to end.

Features:

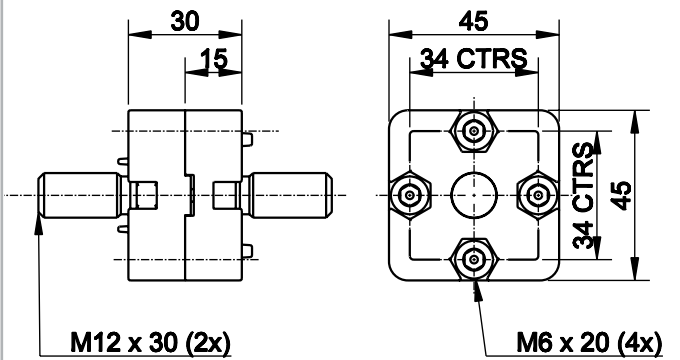
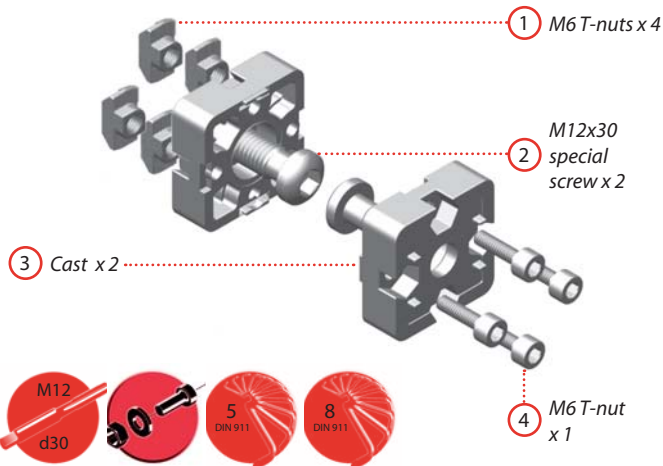
- 1. Four M6 T-nuts¹ for t-connections.

Item Description:

E CON 45 x 45

Item Number:

1.20.1010.0

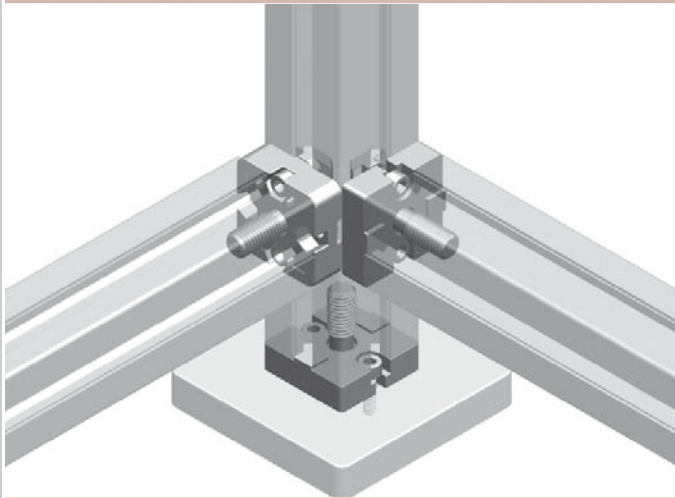


Technical Information:

Item Description	Bore	Weight	Colour	Finish	Material
E CON 45 x 45	M12	88.6 g	Natural	1,2,3,4 - Zinc plated	1,2,3,4 - Steel



T - Connectors (T - CON):



General Information:

Function: Forms a perpendicular connection between two aluminium profiles.

Features:

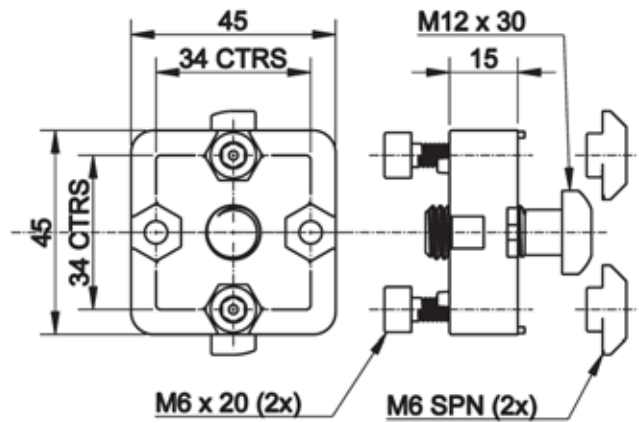
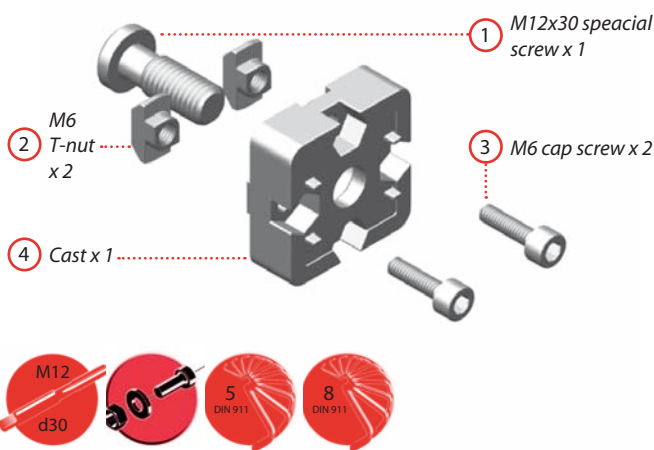
- 1. Locating pins for 10mm slot profiles.

Item Description:

T - CON 45 x 45

Item Number:

1.20.1011.0

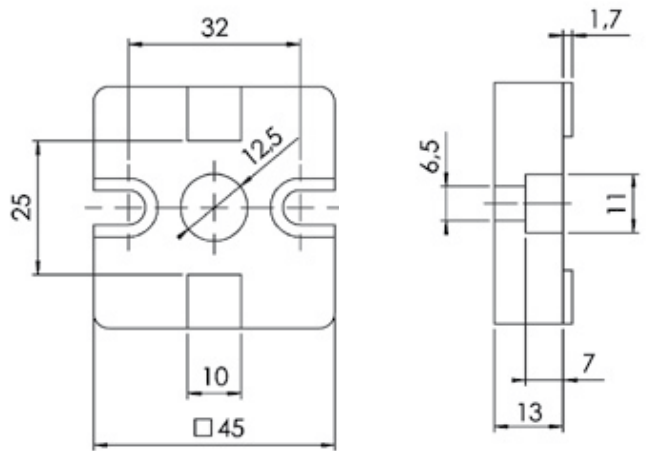
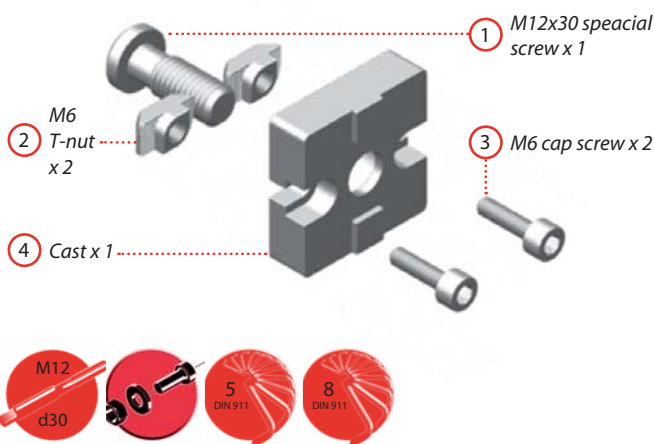


Item Description:

T - CON 45 x 45F

Item Number:

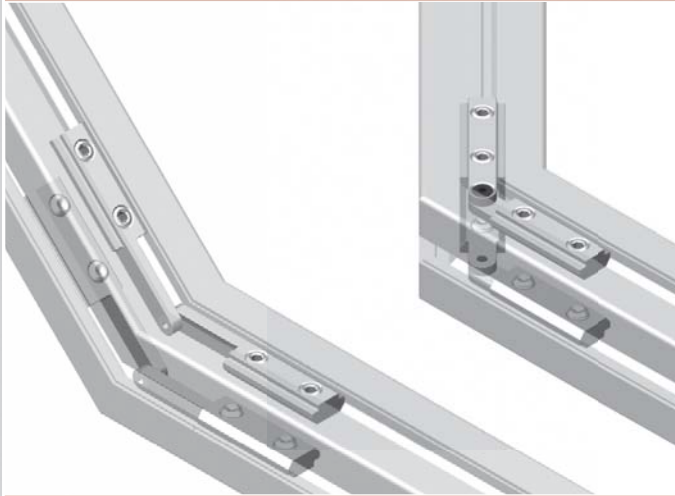
C099E45451012A



Technical Information:

Item Description	Bore	Weight	Colour	Finish	Material
T - CON 45 x 45	M12	37.3 g	Natural	1,2,3,4 - Zinc plated	1,2,3,4 - Steel
T - CON 45 x 45F		88.6 g			

Mitre Connectors (CON M):



General Information:

Function: Connects two aluminium profiles end to end at variable angles.

Features:

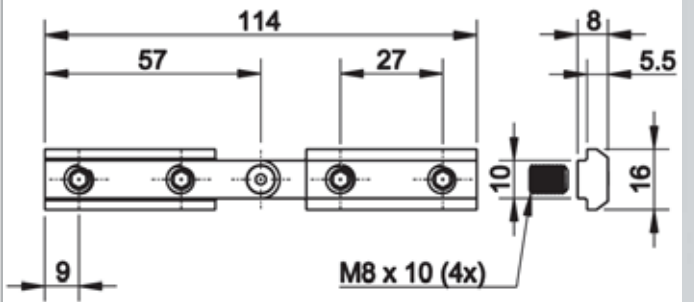
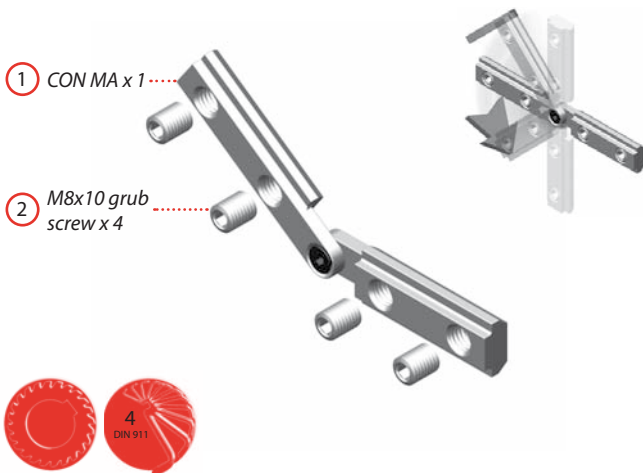
1. Pivot joint for variable connection angles.
2. Four M8 x 10 grub screws².

Item Description:

CON MA

Item Number:

1.20.1030.0

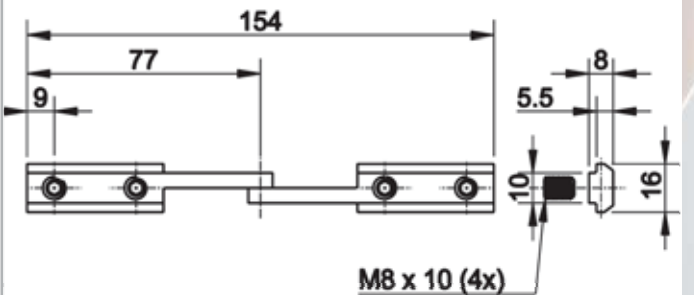
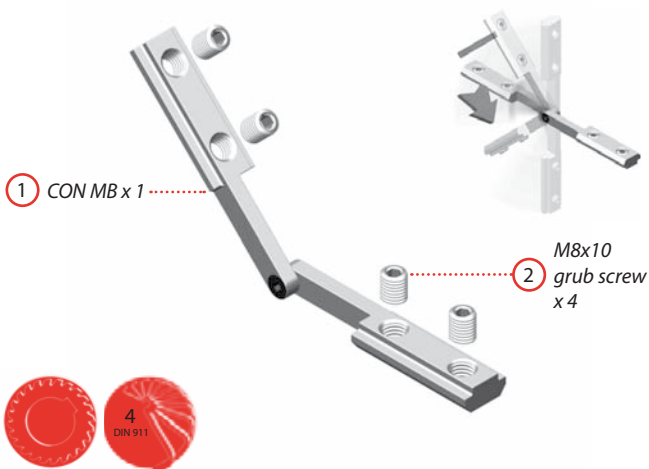


Item Description:

CON MB

Item Number:

1.20.1031.0



Technical Information:

Item Description	Slot (mm)	Connection Angle	Weight (g)	Finish	Material
CON MA	10.0	Variable	82.0	1,2 - Zinc plated	1,2 - Steel
CON MB			94.0		